

# REMOVAL OF THE PUSH LEVER FROM THE NC3FA / NC3FB RECEPTACLE

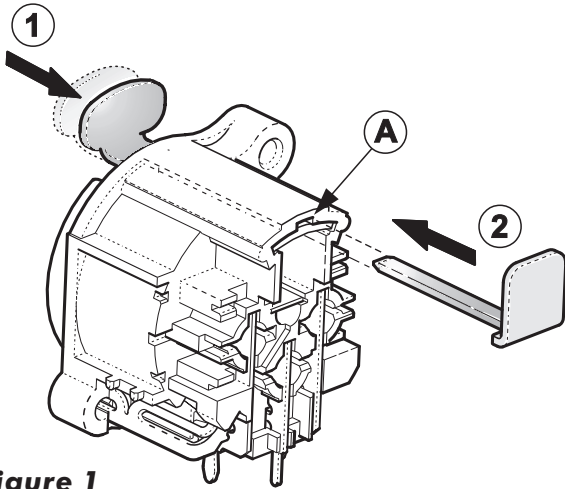


figure 1

To remove the PUSH Lever from this receptacle with the Removal Tool access to the front and rear of the receptacle is necessary.

Depress the PUSH Lever fully as shown in figure 1, and hold it in this position.

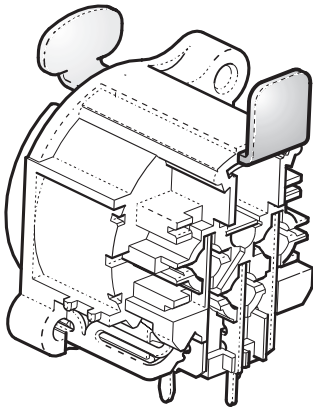


figure 2

Now insert the Removal Tool shaft into the removal slot located on the rear of the receptacle (label A) until it rests completely inside the receptacle as shown in figure 2.

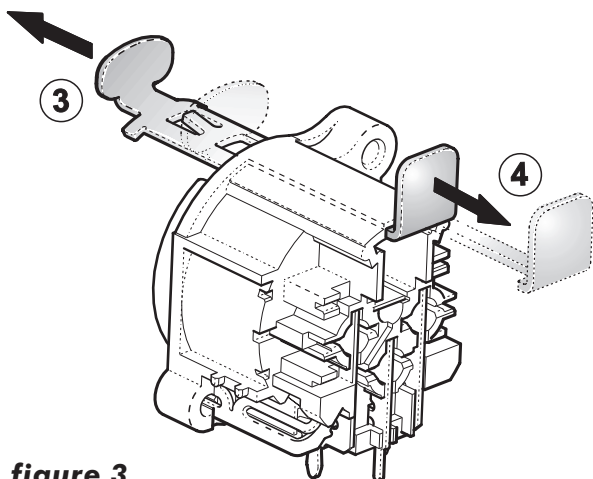


figure 3

Finally, pull out the PUSH Lever from the receptacle and withdraw the Removal Tool as indicated in figure 3.

**NEUTRIK AG**  
Liechtenstein  
Tel.: +423/237 24 24  
Fax.: +423/232 53 93  
www.neutrik.com

**NEUTRIK Zürich AG**  
Switzerland  
Tel.: +41 1/736 5010  
Fax.: +41 1/736 5011

**NEUTRIK (UK) Ltd.**  
Great Britain  
Tel.: +44 19 83/811 441  
Fax.: +44 19 83/811 439

**NEUTRIK Tokyo Ltd.**  
Japan  
Tel.: +81/3/5411 25551  
Fax.: +81/3/5411 2827

**NEUTRIK USA INC.**  
USA  
Tel.: +1 732/901 9488  
Fax.: +1 732/901 9608

**NEUTRIK HGK**  
Hong Kong  
Tel.: +852/2/898/9366  
Fax.: +852/2/898/7603