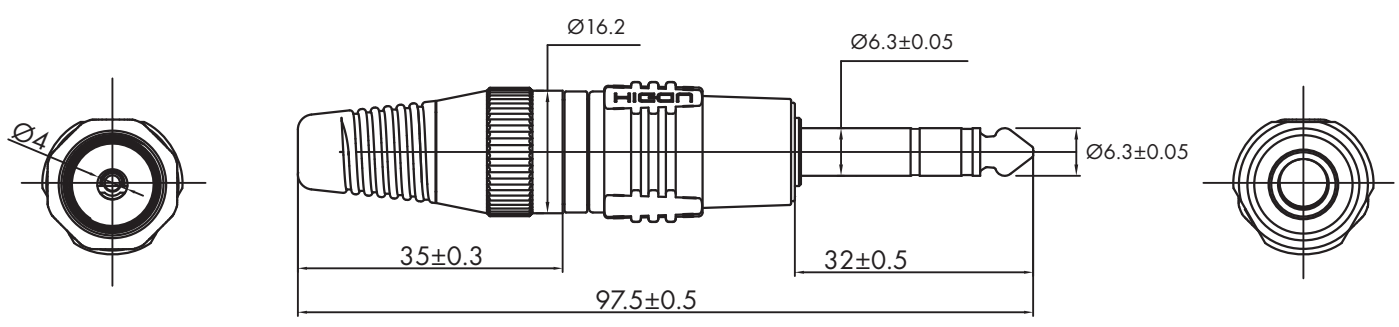


MATERIAL	
1	Bronze Alloy-gold
2	Bronze alloy-nickel
3	POM
4	TPV
5	Zinc Alloy-black chrome



HICON
CONNECTORS

HI-J63S03
Klinken-Steckverbinder 6,3 mm
stereo male