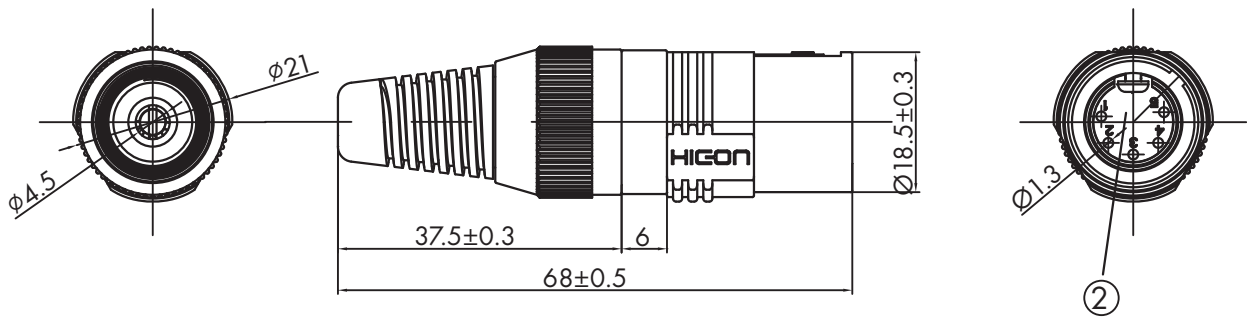


MATERIAL	
1	Bronze Alloy
2	PBT
3	POM
4	TPV
5	Zinc Alloy-black chrome



HIGON
CONNECTORS

HI-XCM5N-BLK
HI-XCM5G-BLK

XLR Steckverbinder
5-pol male