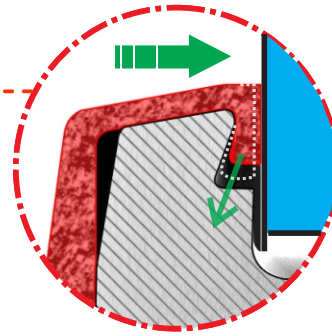
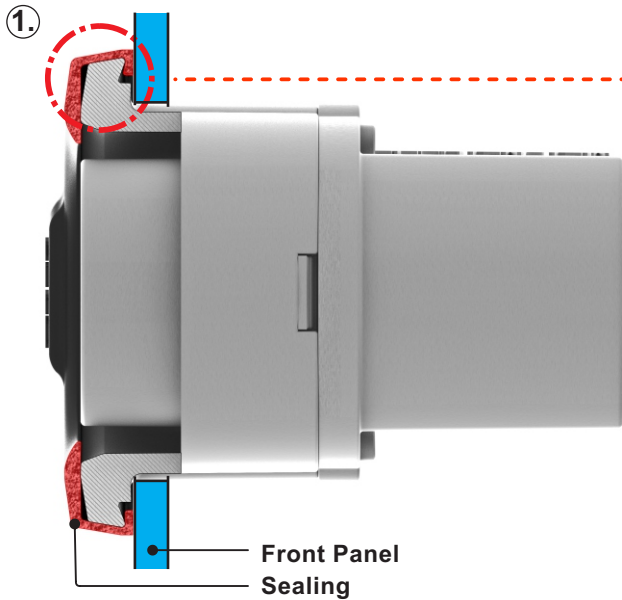




# ASSEMBLY INSTRUCTION

etherCON | CAT6A Chassis Connector  
NE8FDX-P6-W with rubber sealing - IP65

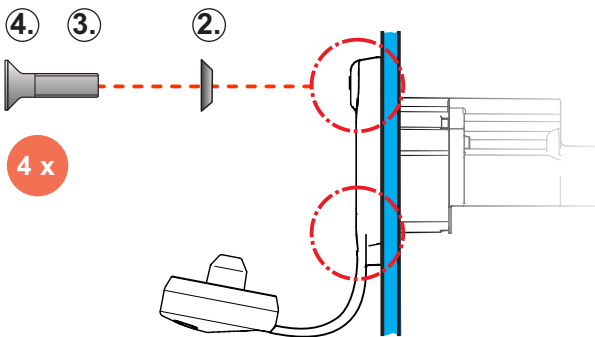
## ASSEMBLY



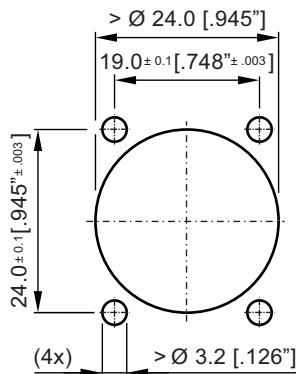
Flange shape ensures proper sealing.

### ATTENTION:

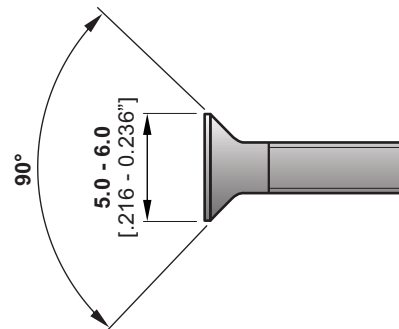
- ① Sealing must be positioned well
- ② Position the supplied washers
- ③ Diameter of countersunk screw head min. 5.0 mm and max. 6.0 mm\*
- ④ Maximum allowable torque 0.4 Nm



### Panel Cutout (Rear Side)



### \*Countersunk screw



NEUTRIK AG LI T: +423/237 24 24 F: +423/232 53 93  
 NEUTRIK USA Inc. USA T: +1 704/972 3050 F: +1 704/438 9202  
 NEUTRIK (UK) Ltd. UK T: +44 1983/811 441 F: +44 1983/811 439  
 NEUTRIK Vertriebs GmbH DE/NL/AT/DK T: +49 8131/280 890 F: +49 8131/280 830

NEUTRIK France FR T: +33 1/4131 6750 F: +33 1/4131 0511  
 NEUTRIK Tokyo Ltd. JP T: +81 3/3663 4733 F: +81 3/3663 4796  
 NEUTRIK Hong Kong Ltd. HK T: +852/2687 6055 F: +852/2687 6052  
 NEUTRIK India Pvt. Ltd. IND T: +91/982 05 43 424 F: +91/22 26163 540

Draft. Nr.: BDA 442-2 | Update: 23.08.2017 | Data subject to change without prior notice. ©2017 NEUTRIK®. ALL RIGHTS RESERVED. NEUTRIK® is a registered trademark.

www.neutrik.com

**NEUTRIK®**